



Single Monitor Arm – F-S-Ergo





Single Monitor Arm – F-S-Ergo



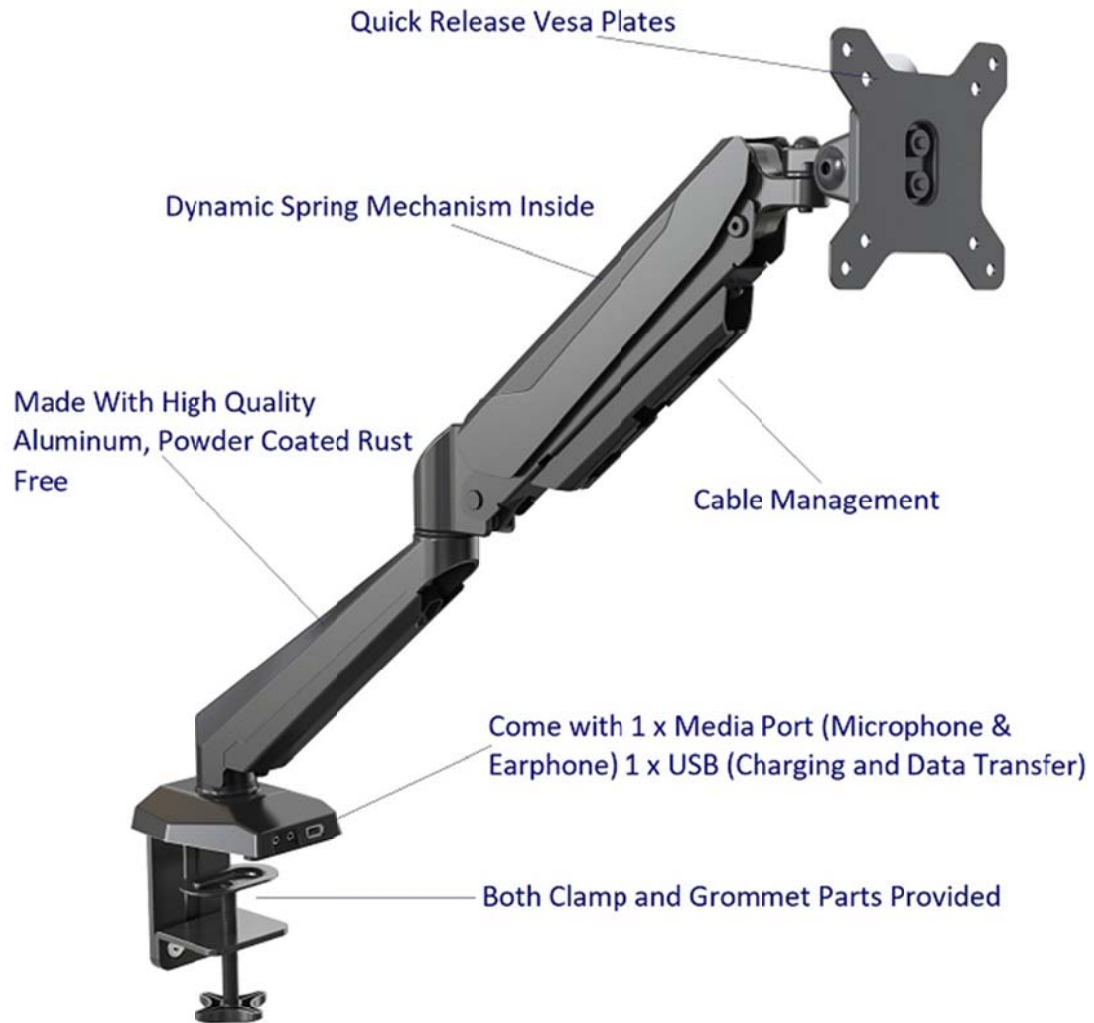


Single Monitor Arm – F-S-Ergo





Single Monitor Arm – F-S-Ergo



Screen Size
17"-32"



Weight Capacity
8 kg/19.8lbs



VESA Compatible
75x75 100x100



Tilt Range
+90°--90°



Swivel Range
+90°--90°



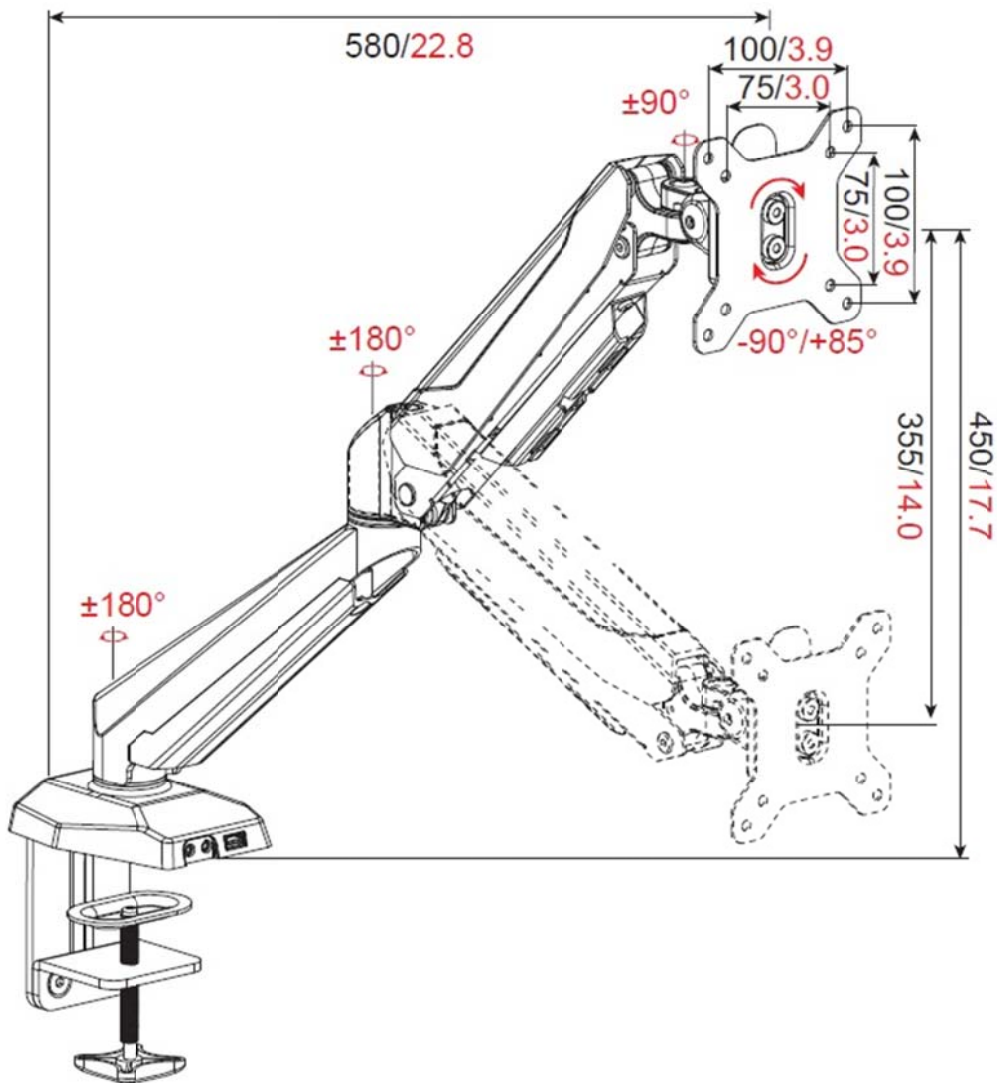
Screen Rotation
360°



Cable
Management



Single Monitor Arm – F-S-Ergo



Model: F-S-Ergo (Dynamic Spring Mechanism) (Comes With 1 x Media Port and 1 x USB)

Type: Grommet and Clamp

Colour: Black

Specifications:

*Screen weight range (1kg~8kg)

*Media Port and 1 x USB

*Single monitor support with double arms linked

*Screen quick release type

*Cable Management

*360° monitor rotation, swivel $+90^\circ \sim -90^\circ$, tilting $+90^\circ \sim -90^\circ$ (screen can be tilted to flat)

*Available with both 75mm and 100mm VESA brackets

*Laptop holder as an option (mounting of laptop)

*Clamp and Grommet Parts supplied together



Single Monitor Arm – F-S-Ergo-Pole





SINGAPORE INTERIOR PTE LTD

124 Lor 23 Geylang, #08-01/02 Arcsphere(Lift Lobby 2), Singapore 388405

sales@singaporeinterior.com 6323 9213 6741 3190

Singapore Interior Design & Furniture Hub | www.singaporeinterior.com

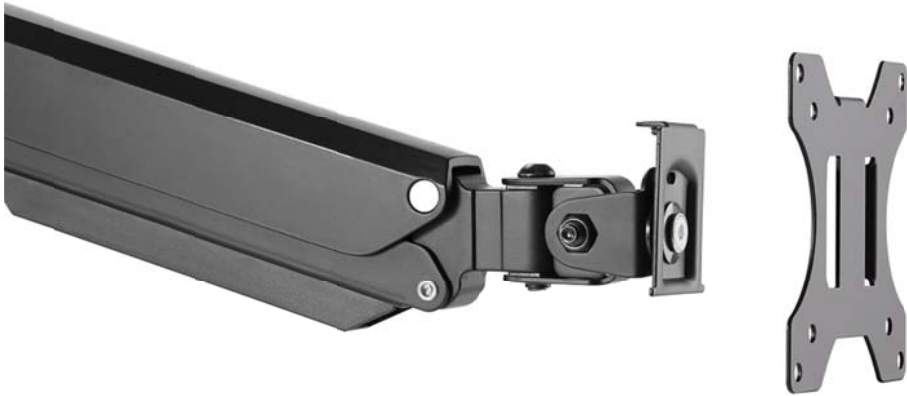


Single Monitor Arm – F-S-Ergo-Pole



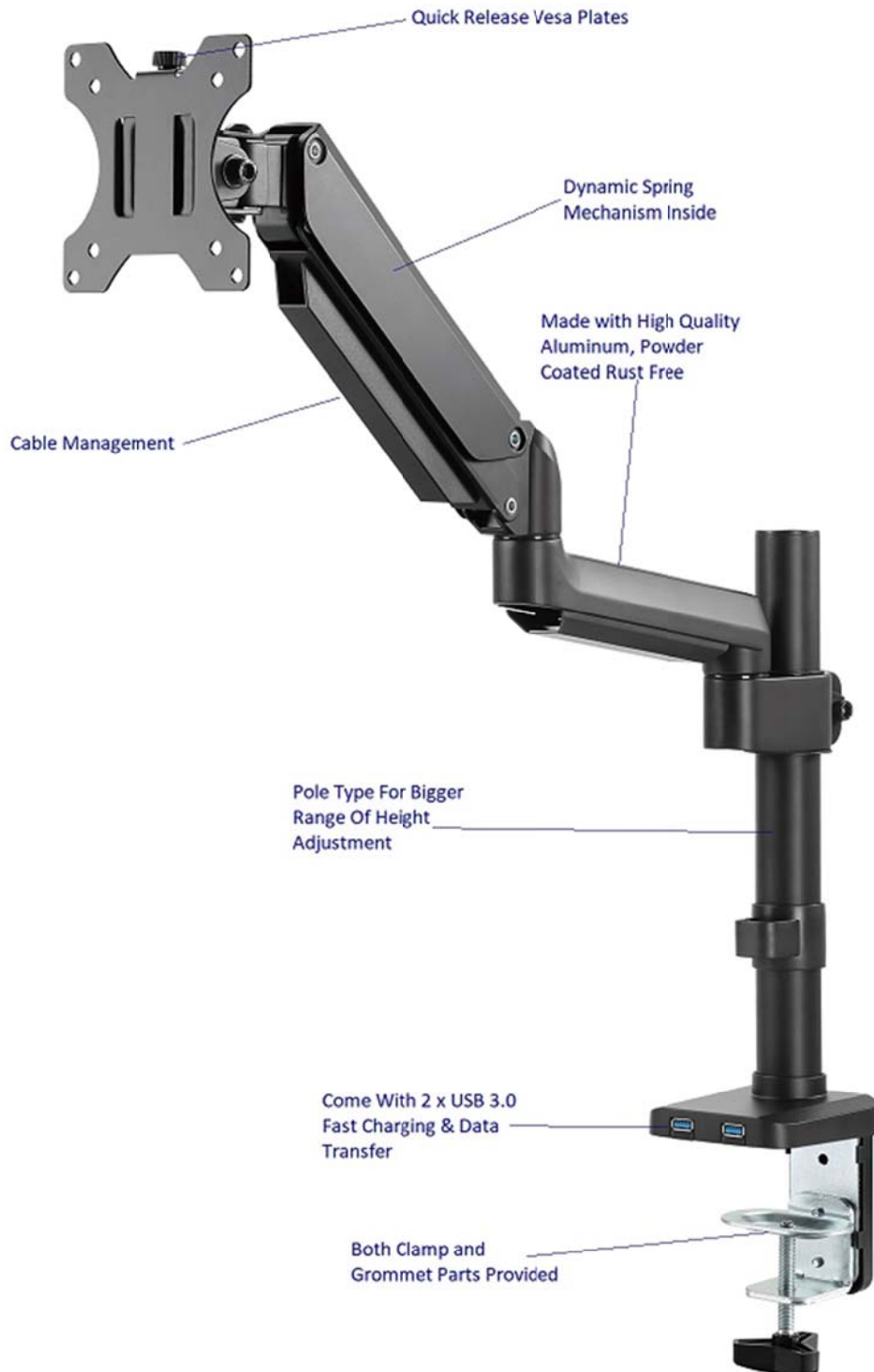


Single Monitor Arm – F-S-Ergo-Pole



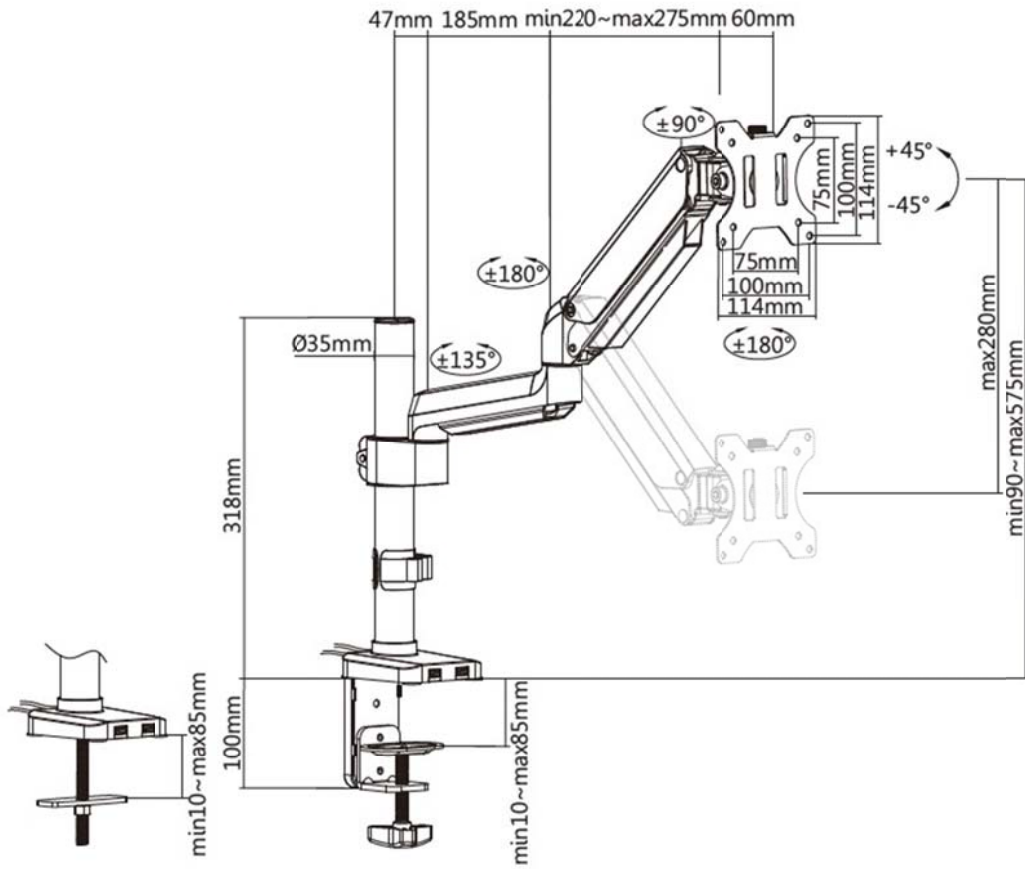


Single Monitor Arm – F-S-Ergo-Pole





Single Monitor Arm – F-S-Ergo-Pole



- | | | | |
|--|-------------------------|------------------|-----------------------|
| <p>VESA
Compatible
75x75 100x100</p> | <p>360°</p> | <p>+45°/-45°</p> | <p>±90°/-90°</p> |
| <p>Gas Spring</p> | <p>Cable Management</p> | <p>USB Port</p> | <p>Curved Monitor</p> |



SINGAPORE INTERIOR PTE LTD

124 Lor 23 Geylang, #08-01/02 Arcsphere(Lift Lobby 2), Singapore 388405

sales@singaporeinterior.com 6323 9213 6741 3190

Singapore Interior Design & Furniture Hub | www.singaporeinterior.com



UEN : 200612547K

Single Monitor Arm – F-S-Ergo-Pole

Model: F-S-Ergo-Pole (**Dynamic Spring Mechanism**)

Type: Grommet and Clamp

Colour: Black

(Come With 2 x USB 3.0)

Specifications:

***Screen weight range (0kg~8kg)**

***2 x USB3.0 – Charging and Fast Data Transfer**

***Dynamic Spring Mechanism (Easy Height Adjustment)**

***Pole Type Allows More Height Adjustment**

*Single monitor support with double arms stretch

*Cable Management

*360° monitor rotation, swivel +90° ~ -90°, tilting +90° ~ -90° (**screen can be tilted to flat**)

*Available with both 75mm and 100mm VESA brackets

*Laptop holder as an option (mounting of laptop)

*Clamp and Grommet Parts supplied together



SINGAPORE INTERIOR PTE LTD

124 Lor 23 Geylang, #08-01/02 Arcsphere(Lift Lobby 2), Singapore 388405

sales@singaporeinterior.com 6323 9213 6741 3190

Singapore Interior Design & Furniture Hub | www.singaporeinterior.com



Single Monitor Arm – F-S-Dyna





SINGAPORE INTERIOR PTE LTD

124 Lor 23 Geylang, #08-01/02 Arcsphere(Lift Lobby 2), Singapore 388405

sales@singaporeinterior.com 6323 9213 6741 3190

Singapore Interior Design & Furniture Hub | www.singaporeinterior.com



Single Monitor Arm – F-S-Dyna





SINGAPORE INTERIOR PTE LTD

124 Lor 23 Geylang, #08-01/02 Arcsphere(Lift Lobby 2), Singapore 388405

sales@singaporeinterior.com 6323 9213 6741 3190

Singapore Interior Design & Furniture Hub | www.singaporeinterior.com



UEN : 200612547K

Single Monitor Arm – F-S-Dyna



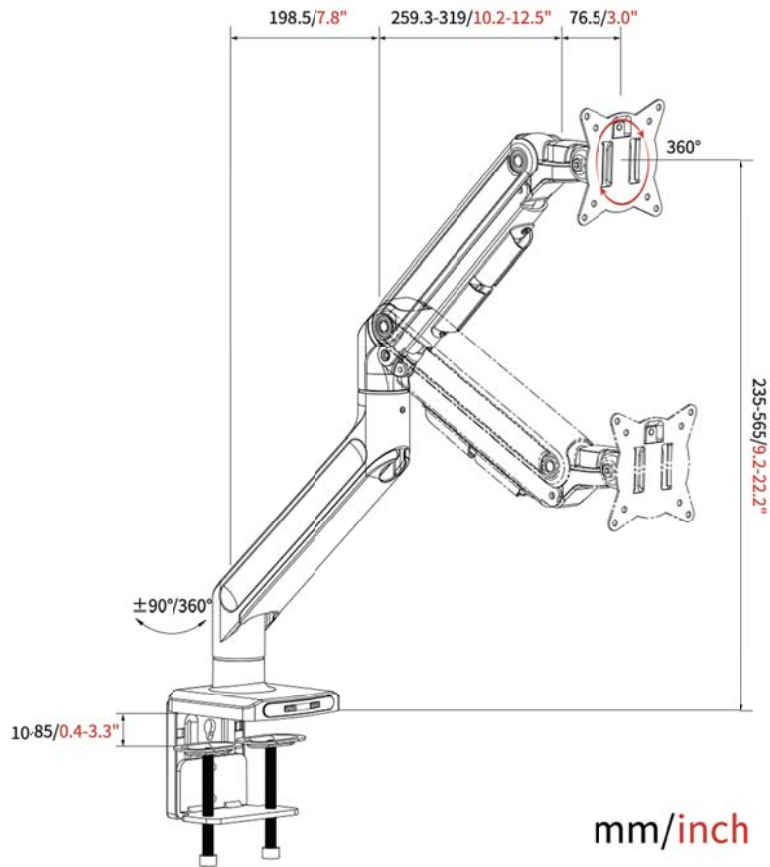


Single Monitor Arm – F-S-Dyna





Single Monitor Arm – F-S-Dyna



Model: F-S-Dyna (Come With 2 x USB 3.0)

Type: Grommet or Clamp

Colour: Black

Specifications:

- ***Best and largest screen weight range (0kg~20kgs) in the market**
- ***Suitable For Monitors Up to 49 Inch**
- *Integrated tool kit
- ***USB3.0 x 2**
- *Heavy Duty Single monitor support with double arms linked
- *Screen quick release type
- *Cable Management
- * 360° monitor rotation, tilting $\pm 180^\circ$ (screen can be tilted to flat)
- *Available with both 75mm and 100mm VESA brackets
- ***Double Clamp For Added Stability**
- *Laptop holder as an option (mounting of laptop)
- *Clamp & Grommet Parts Both Given
- ***Grommet hole max 60mm**