

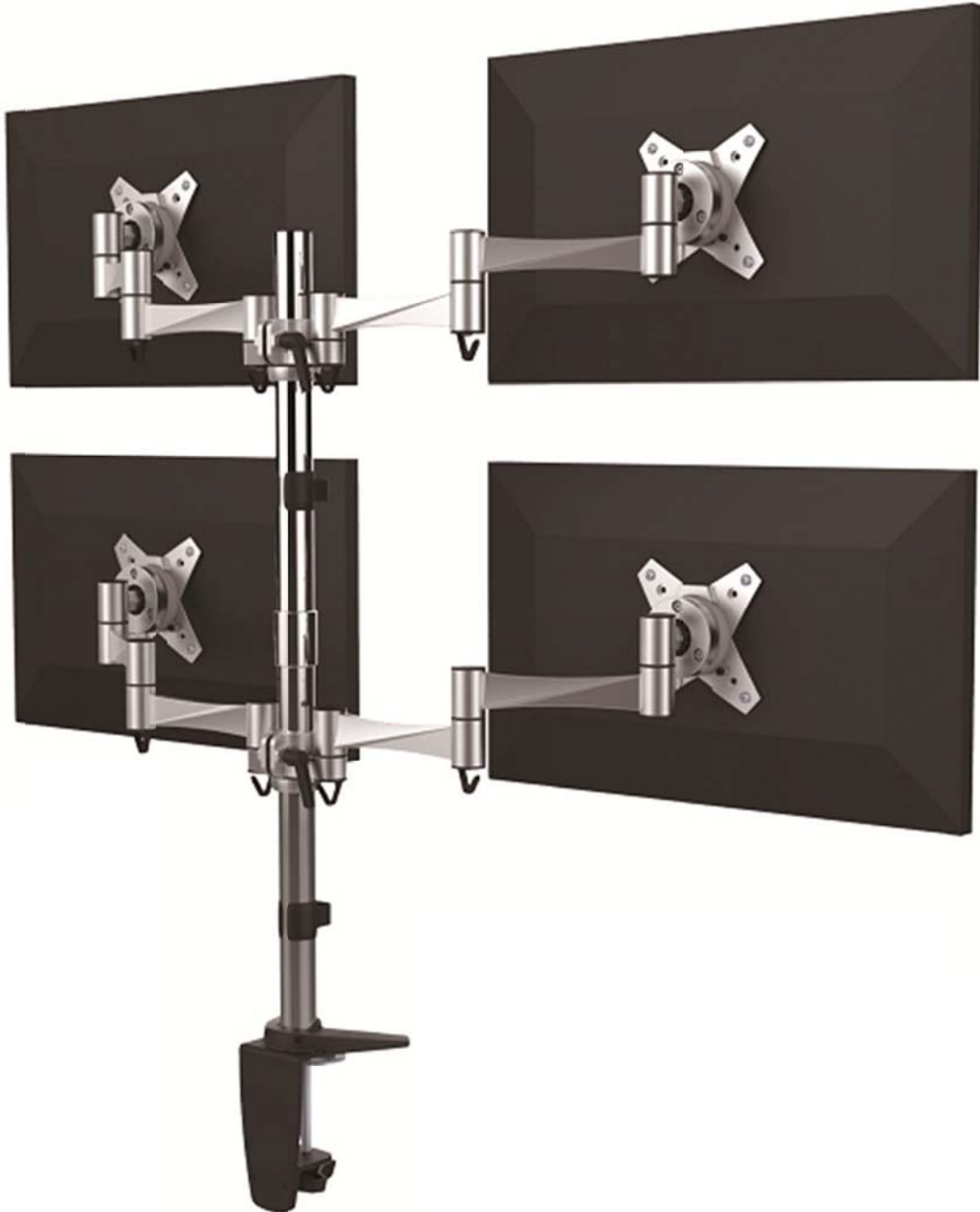


Quarto Monitors Arms – F-Q-GClamp



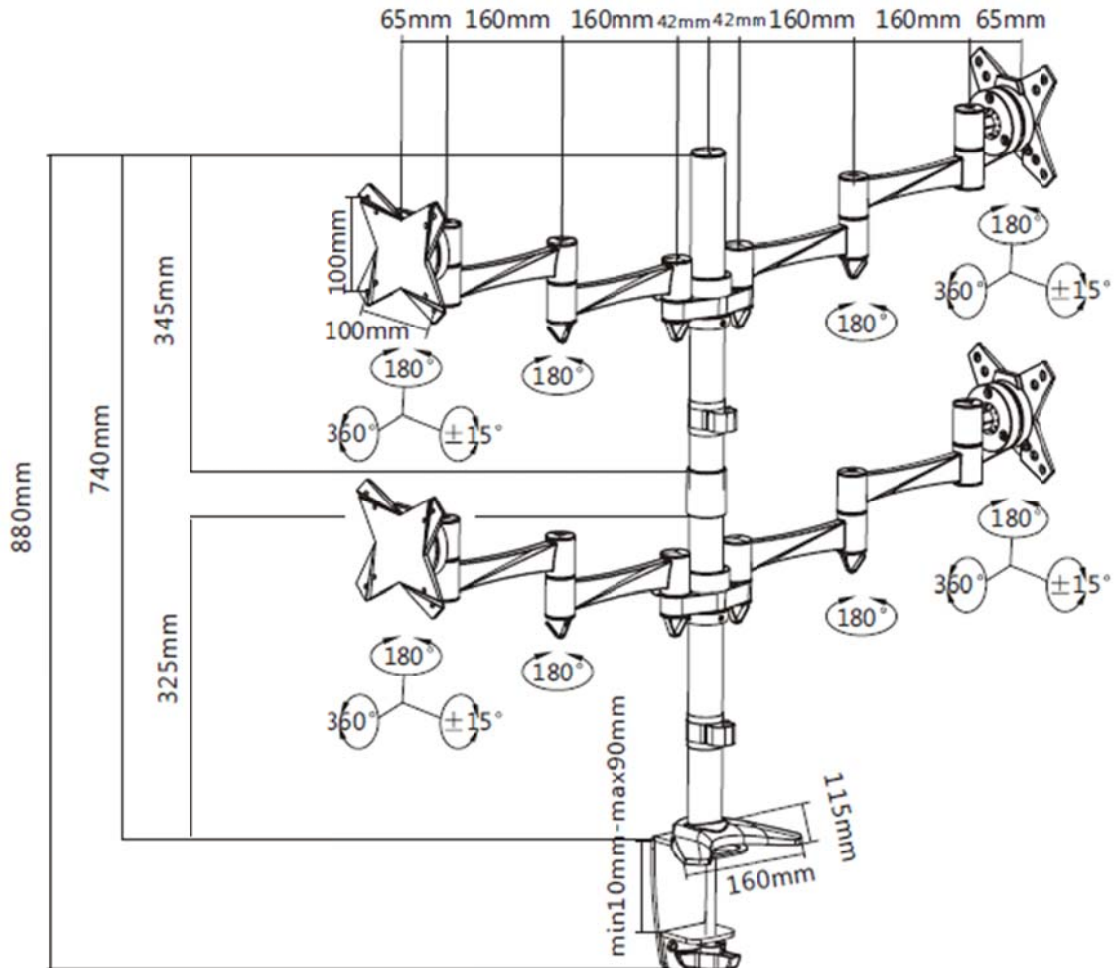


Quarto Monitors Arms – F-Q-GClamp





Quarto Monitors Arms – F-Q-GClamp



Model: F-Q-GClamp (Grommet and Clamp)

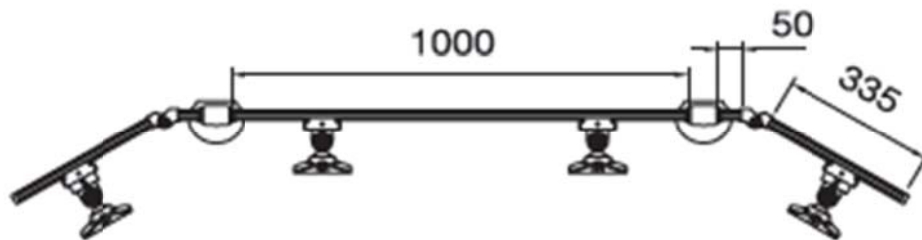
Colour: Silver

Specifications:

- *Four monitor support with two arm stretch
- *360° monitor rotation, $\pm 35^\circ$ tilting
- *Available with both 75mm and 100mm VESA brackets
- *Monitor weighing up to 8 kgs and 27"
- *Constructed of aluminum, steel and translucent plastic
- *Cable management
- *Clamp and Grommet Parts supplied together

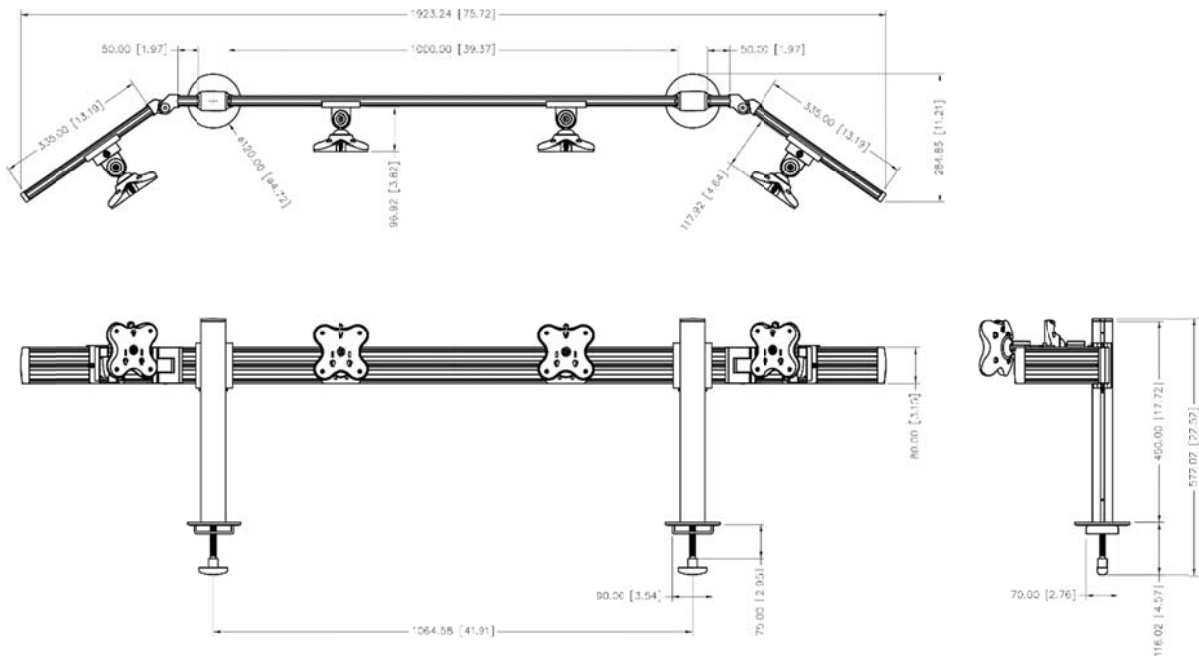


Quarto Monitors Arms – F-Q-GClampS





Quarto Monitors Arms – F-Q-GClampS



Model: F-Q-GClampS (Grommet or Clamp)

Colour: Silver

Specifications:

- *Four monitor support with no arm stretch (**Option to add arm extension**)
- ***Able to mount back to back, two way**
- *Screen quick release type
- *360° monitor rotation, ± 35° tilting
- *Available with both 75mm and 100mm VESA brackets
- *Monitor weighing up to 12 kgs and 24"
- * **Post height: 45cm x 2, 100cm horizontal rail x 1**
- ***Four sets hinges to adjust arc (Option to have two way hinges)**
- *Constructed of aluminum, steel and translucent plastic
- *Cable management
- *Anti-theft locking screw as an option (locking of monitor screen to monitor arm to prevent theft)
- *Runner as an option (To increase height adjustment range by 15cm)
- *Laptop holder as an option (mounting of laptop)